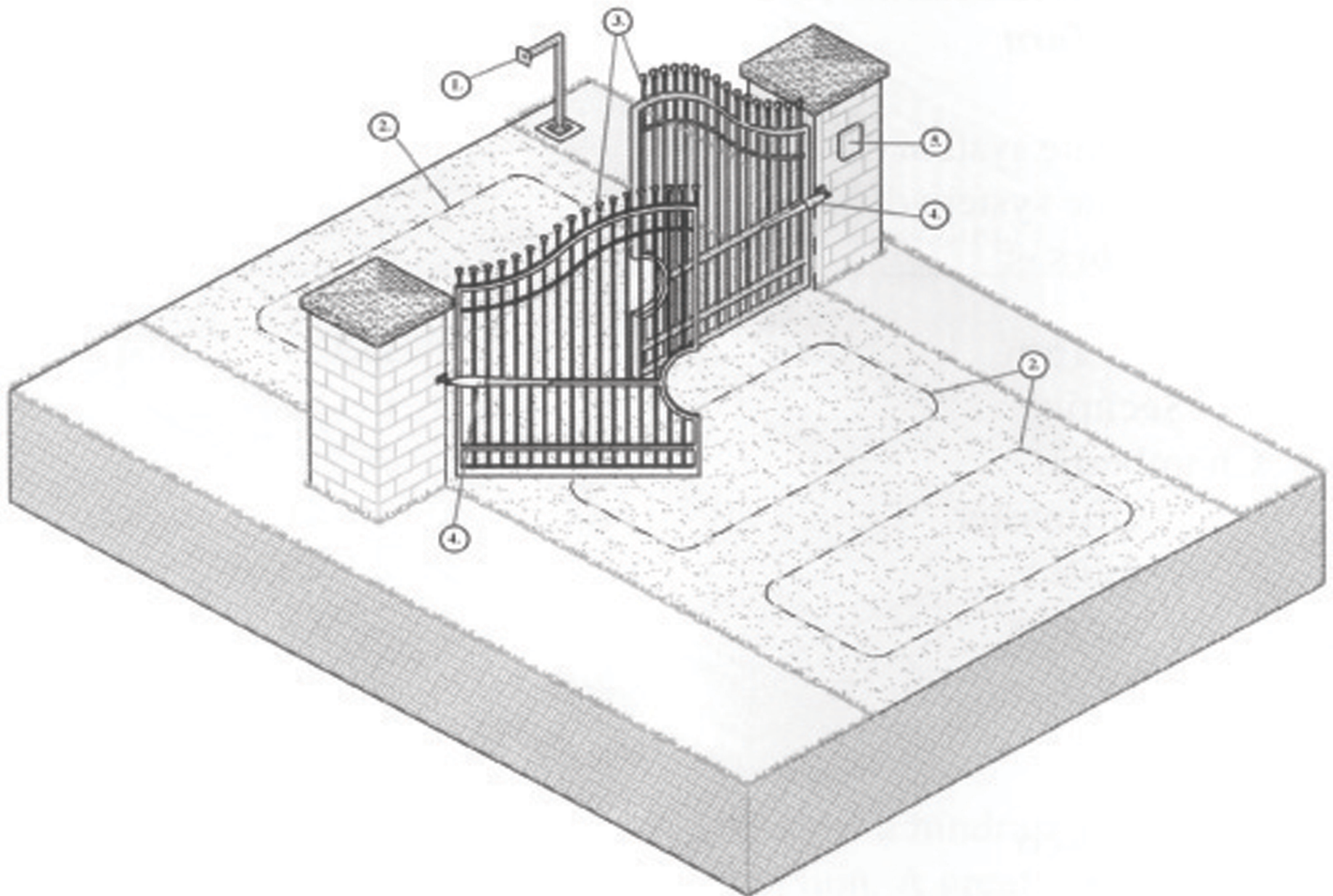


# Components of a Basic Swing Gate System



1. Gooseneck
2. Pre Made Traffic Loops
3. Gate Panel
4. Gate Operator
5. Control Box

**Logical Decisions, Inc.**  
**Phone: 1-800-676-5537**  
**Fax: 1-800-676-5535**