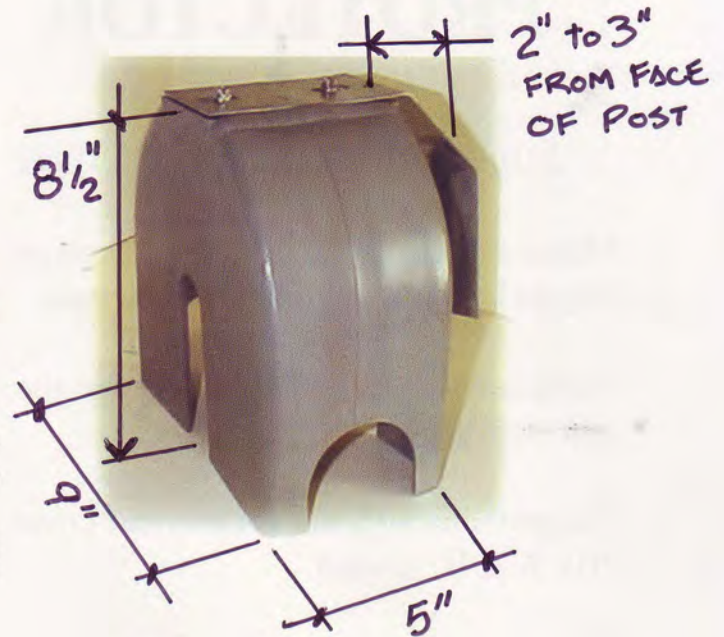
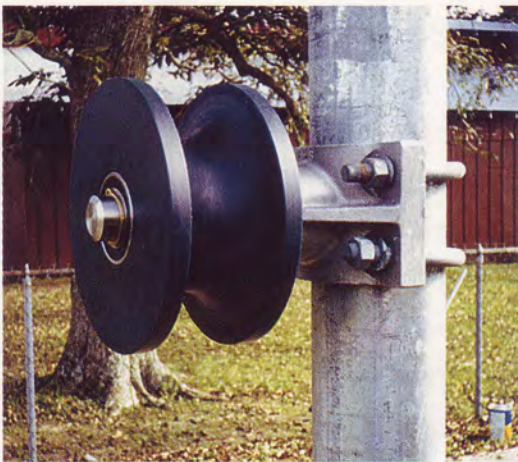


**WHEN ONLY THE BEST WILL DO**  
**ADVANCED DESIGNED CANTILEVER ROLLERS**

**“THE”**  
**PROTECTOR**



**“THE”**  
**ROLLER**

**“THE”**  
**PERFECT MATCH**



LOGICAL DECISIONS, INC.  
P.O. BOX 40165  
BATON ROUGE, LA 70835-0165  
TEL: 1-800-676-5537 • FAX: 1-800-676-5535

SEE BACK FOR MORE DETAILS

# THE PROTECTOR

## Support Roller Safety Cover

Makes it very difficult to pinch hands or fingers between the roller and the gate.

Protects the roller and bearings from the rain, sun, snow, and freezing cold.

Nonmetallic, high impact polymer cover "UV A & B" treated.

Designed to fit either round or square gate frames.

Cover fits all standard 4" round post cantilever wheels.

Covers the roller completely while leaving access to grease fittings.

Improves the looks of the finished product.

Each box includes one pair of safety covers and all the mounting hardware.

Available in gray or black.

Price sheet available upon request.

# THE ROLLER

The cantilever gate roller system designed and manufactured by **Advanced Designs, Inc.** is the best on the market today. Our rollers are machined of a cast nylon composite called Combolium 396\* (tough and long lasting). Roller wearability is increased up to fifteen times that of existing rollers. The shaft is made of stainless steel and made to slide in and out of the mounting bracket for improved gate alignment adjustment. Our bearings are double sealed so they will never need greasing. Modified bearing pockets allow for larger bearings capable of carrying heavier loads. All accessories are heavy-duty and rust resistant for a high quality low maintenance wheel that will keep your gate rolling smoothly long into the future. Whether your gate is heavy or light weight, the rollers can handle from 1533 lbs. at 20% to 3066 lbs. at 50% of the cantilever gate. Your gate will roll more easily and quietly, with no slipping or sticking. It has a two year parts replacement warranty. The roller is available in both round and square-cut made from Combolium 396.\*

\*Registered Trade Mark