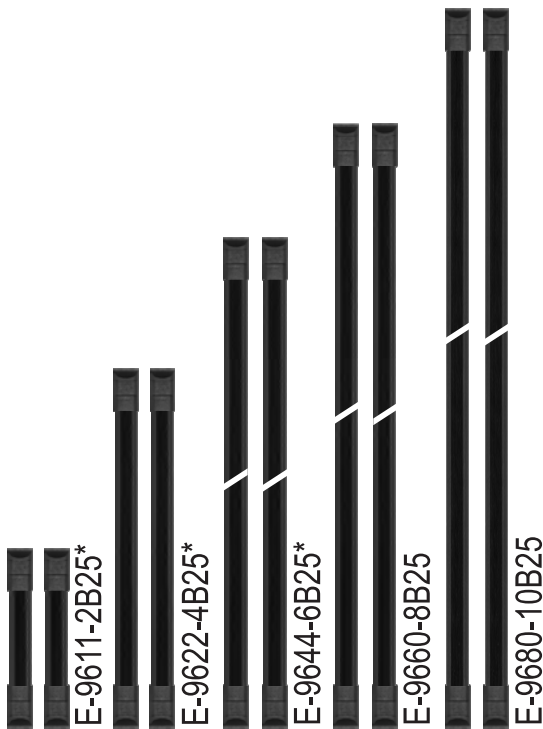


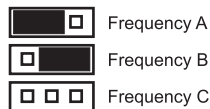
Curtain/Barrier Sensors

E-9611-2B25	2 Beams, 11" (28.5cm) Long, Black Enclosure
E-9622-4B25	4 Beams, 22" (57cm) Long, Black Enclosure
E-9622-4W25	4 Beams, 22" (57cm) Long, White Enclosure
E-9644-6B25	6 Beams, 44" (113cm) Long, Black Enclosure
E-9644-6W25	6 Beams, 44" (113cm) Long, White Enclosure
E-9660-8B25	8 Beams, 60" (153cm) Long, Black Enclosure
E-9680-10B25	10 Beams, 80" (201cm) Long, Black Enclosure



*E-9622-4W25, E-9644-6W25 also available, with white enclosures.

Select frequency by adjusting the jumper position:



- Range: 25ft (7.6m) outdoor, 50ft (15m) indoor.
- Install on windows, doorways, skylights, fences, or any place where space is limited.
- Slimline design: 7/8"x15/16" (22x34 mm).
- Triggers on breaking of any single or two adjacent beams (programmable).
- Rugged aluminum construction.
- Weatherproof IP65 construction.
- Tamper circuit triggers alarm if power is cut or end cap is removed.
- No synchronizing wires required.
- NO/NC relay output, 1A@12~24 VDC.
- LED alignment indicator.
- "L" brackets and mounting hardware included.

Three-dimensional advertising displays also available.



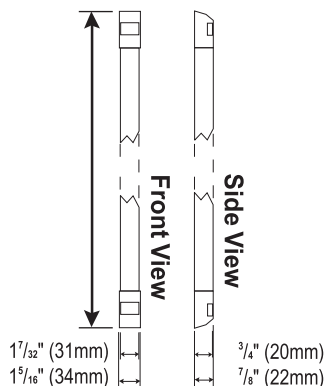
AD-DBO-E96L (Long) -Wall



AD-DBO-E96S (Short) - Table

Dimensions:

Model Number	Length
E-9611	11 1/4" (28.5cm)
E-9622	22 1/2" (57cm)
E-9644	44 1/2" (113cm)
E-9660	60 1/8" (153cm)
E-9680	79" (201cm)



Specifications	E-9611-2B25	E-9622-4B25 E-9622-4W25	E-9644-6B25 E-9644-6W25	E-9660-8B25	E-9680-10B25
	Current draw	Standby: 82mA Active: 67mA	89mA 73mA	94mA 79mA	102mA 92mA
Number of beams	2	4	6	8	10
Response time	0.5~25 ms	0.5~32.5 ms	0.5~48.5 ms	0.5~60 ms	0.5~70 ms
Operating temperature	-49°~131° F (-45°~55° C)				
Attenuation LED	(On): powered, aligned properly, (Flash): beam broken or unaligned, (Off): no power*				
Operating voltage	12~24 VDC				

*Depending upon programming